



Las Vegas / USA

#worldofconcrete2018

H SERIES HT 20+4



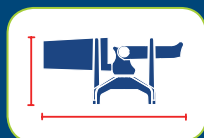
7,5 kW 400 - 480 V
3 phase, 50 - 60 hz



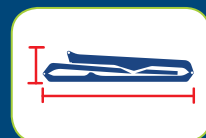
Radio Control



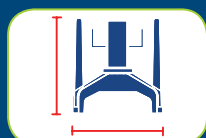
360°



2,4 m x 5 m
2800 kg / 6200 lbs



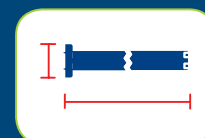
1,5 m x 6 m
1350 kg / 3000 lbs



2,5 m x 2,4
2800 kg / 6200 lbs



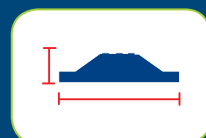
Gasoline Engine
(Optional)



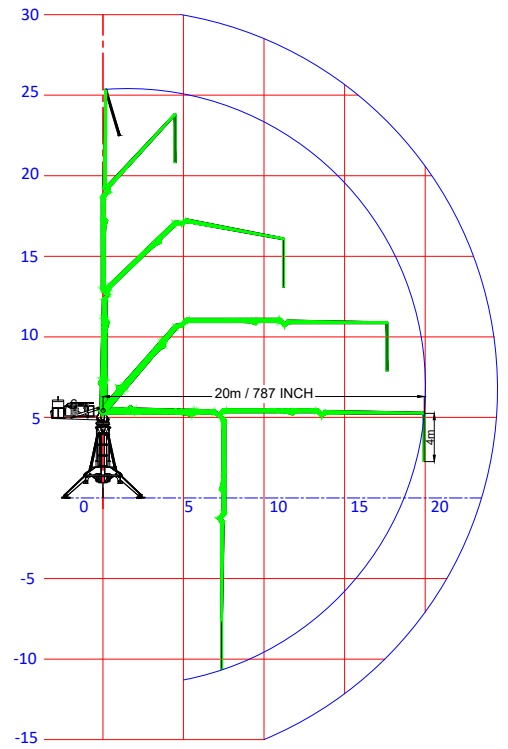
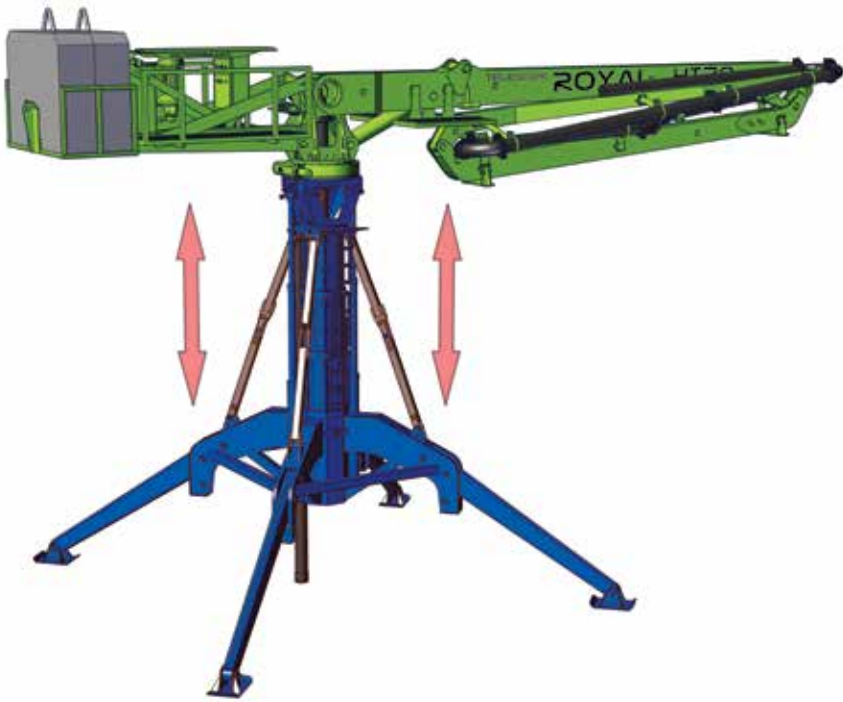
0,60 m x 0,60 m x 8 m
1500 kg / 3300 lbs
(Optional)



Self Climbing
(Optional)



Cross-Base
(Optional)



Ballast Weight:
1300 KG - 2860 LBS x2

